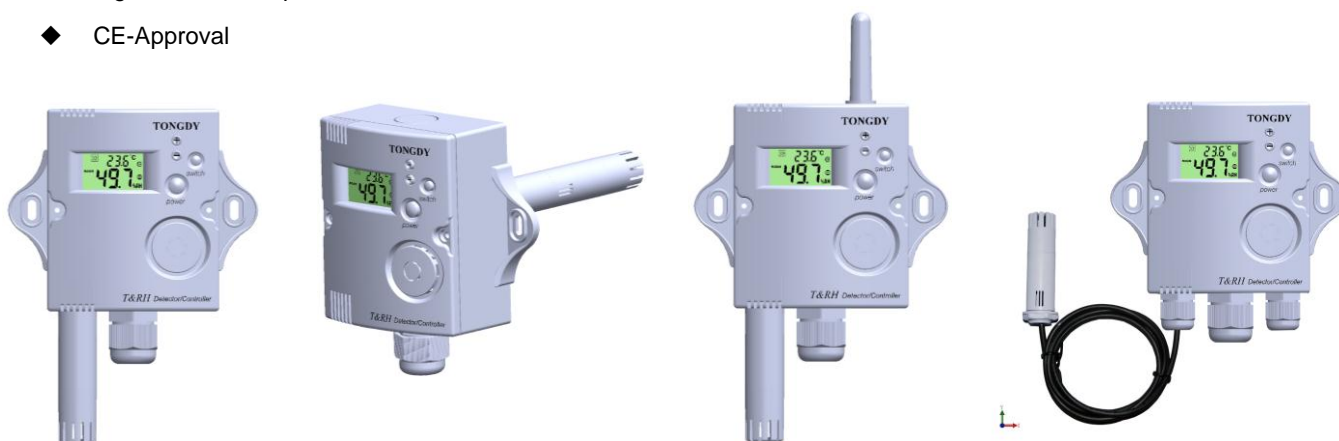


TKG-TH Detector/Control

Temperature & RH Detector/Controller

Features

- ◆ Designed for detection temperature and relative humidity
- ◆ High accuracy sensors with combined temperature and relative humidity together with the digital auto compensation
- ◆ Outside sensing probe design for measurements more accurate, no influence from components heating
- ◆ Special white backlit LCD can be selected with displaying both actual humidity and temperature
- ◆ Smart structure for easy disassembly
- ◆ Provide three types of wall mounting and duct mounting, and split type
- ◆ Provide up to two dry contact outputs with each 5amp
- ◆ Friendly operation buttons for setup and operating
- ◆ Modbus RS485 communication optional
- ◆ ZigBee wireless optional
- ◆ CE-Approval



Typical Applications

- ◆ High end HVAC systems
- ◆ Ventilation systems
- ◆ Detection and display temperature and RH measurements
- ◆ Control temperature and humidity devices
- ◆ Modbus communication systems
- ◆ Wireless receiving and transmission of temperature& RH

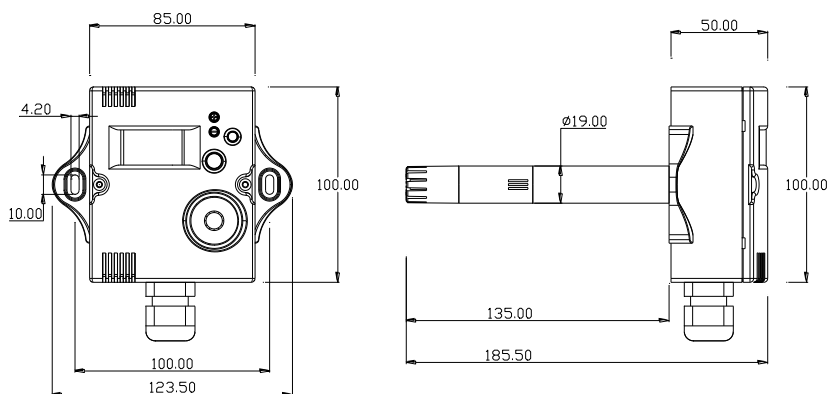
Specifications

	Temperature	Humidity
Accuracy	±0.5°C (20~40°C)	±4.5%RH (25°C, 15%-85%RH)
Measuring range	-20°C~60°C(default) 0°C~50°C 0°C~60°C selectable in orders	0 -100%RH
Display resolution	0.1°C	0.1%RH
Stability	±0.1°C	±1%RH per year
Storage environment	20°C-60°C, 5%RH~70%RH non condensing	
Connection	Screw terminals/ wire diameter:1.5mm ²	
Housing	PC/ABS fireproof material	
Protection class	IP40	
Output	2X5Amp dry contacts	
RS485 interface (option)	Modbus RS485 interface optional	
Wireless module (option)	ZigBee protocol	
Power supply	24VAC±10% or 230VAC±10% selectable	
Power cost	230V: ≤2.8W; 24V: ≤2.0W	
Dimension	Wall mounting: 85(W)X100(H)X50(D)mm+65mm(extend outside)XØ19.0mm Duct mounting: 85(W)X100(H)X50(D)mm +135mm (sensor probe)XØ19.0mm	
Net weight	Wall mounting: 280g Duct mounting: 290g	

Dimensions & Mounting

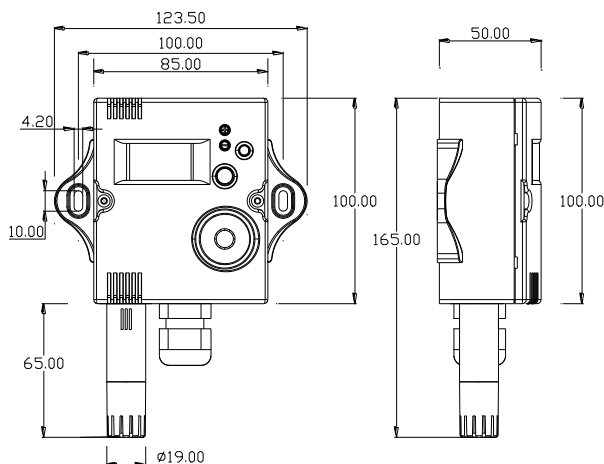
Duct mounted

Probe Length	135.00mm
Probe Diameter	Ø19.00mm
Installation Holes	100.00mm



Wall mounted

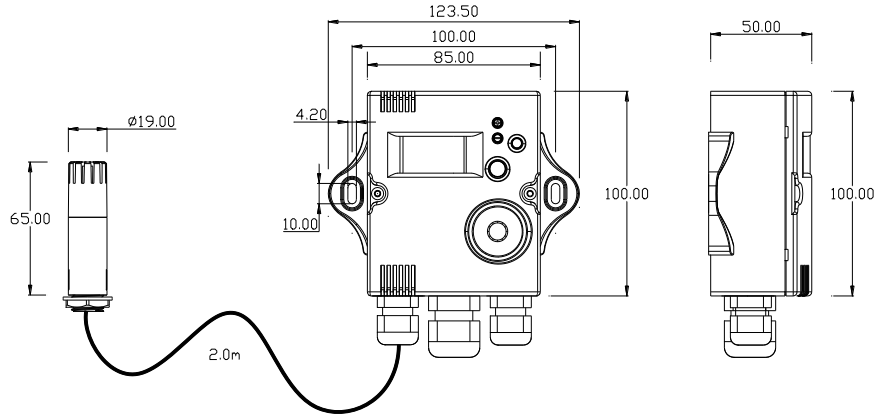
probe Length	65.00mm
Probe Diameter	Ø19.00mm
Installation Holes	100.00mm





Split type

probe Length	65.00mm
Probe Diameter	Ø19.00mm
Installation Holes	100.00mm
Connection cable	200.00mm



Models Guide

TKG- TH- A 0 C D Y -Tab

A: the sensor installation type

- 1: wall mounted with the external sensor in an adown probe
- 2: probe duct mounted
- 3: split sensor with 2 meters cable connection

C: relay dry contact output

- 0: no dry contact output
- 1: 1xdry contact output (for humidity control)
- 2: 2xdry contact outputs (for humidity and temperature control)

D: Communication option

- 0: no communication
- 1: Modbus RS485 interface
- 2: with ZigBee wireless module

Y: power supply

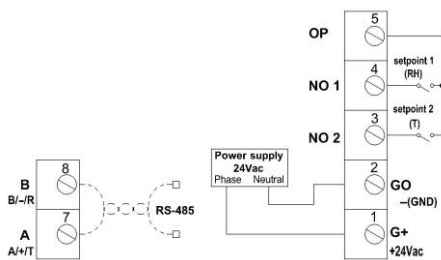
- F: 24VAC power supply
- A: 230VAC power supply

-Tab: temperature range

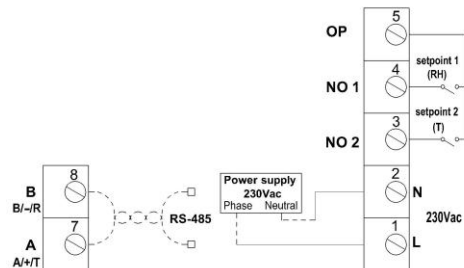
- T26: -20°C~60°C (default)
- T05: 0°C~50°C
- T06: 0°C~60°C

With Tab: the temperature range is -20°C~60°C (default)

Wiring Diagram



Power supply: 24VAC



Power supply: 230VAC



Shipping Information

Wall Mounting Type

Indiv. Ctn. Dim	180mm × 130mm × 60mm
Master Ctn. Qty	36
Master Ctn. Dim	51cm(L) X 39cm (W) X 37cm (H)
Master Ctn. Wt.	13KG

Duct Type

Indiv. Ctn. Dim	255mm × 130mm × 110mm
Master Ctn. Qty	12
Master Ctn. Dim	44cm(L) X 32cm (W) X 32cm (H)
Master Ctn. Wt.	6.5KG