

MSD-E

IAQ monitor with combination of multiple gas sensors

Sensor modular and silent design, flexible combination

One monitor with three optional gas sensors

Wall mounting and two power supplies available

Design and production air quality monitoring products for 16 years



We provides hundreds of air monitoring and control products

Features

- 24-hour real-time online monitoring of indoor air quality
- Carbon monoxide monitoring optional
- Two of following four gas sensors optional:
formaldehyde(HCHO),
ozone(O3),
Nitrogen dioxide(NO2),
- All above gas sensors are modular and replaceable
- Optional temperature & humidity
- Two power supply available:
12~28VDC/18~27VAC or 100~240VAC
- Communication interface available:
RS485 or RJ45, or WIFI
- The light ring indicates the level of indoor air quality or can be turned off. Which gas concentration could be indicated is optional .
- It could be ceiling mounted or wall mounted.

Main Applications

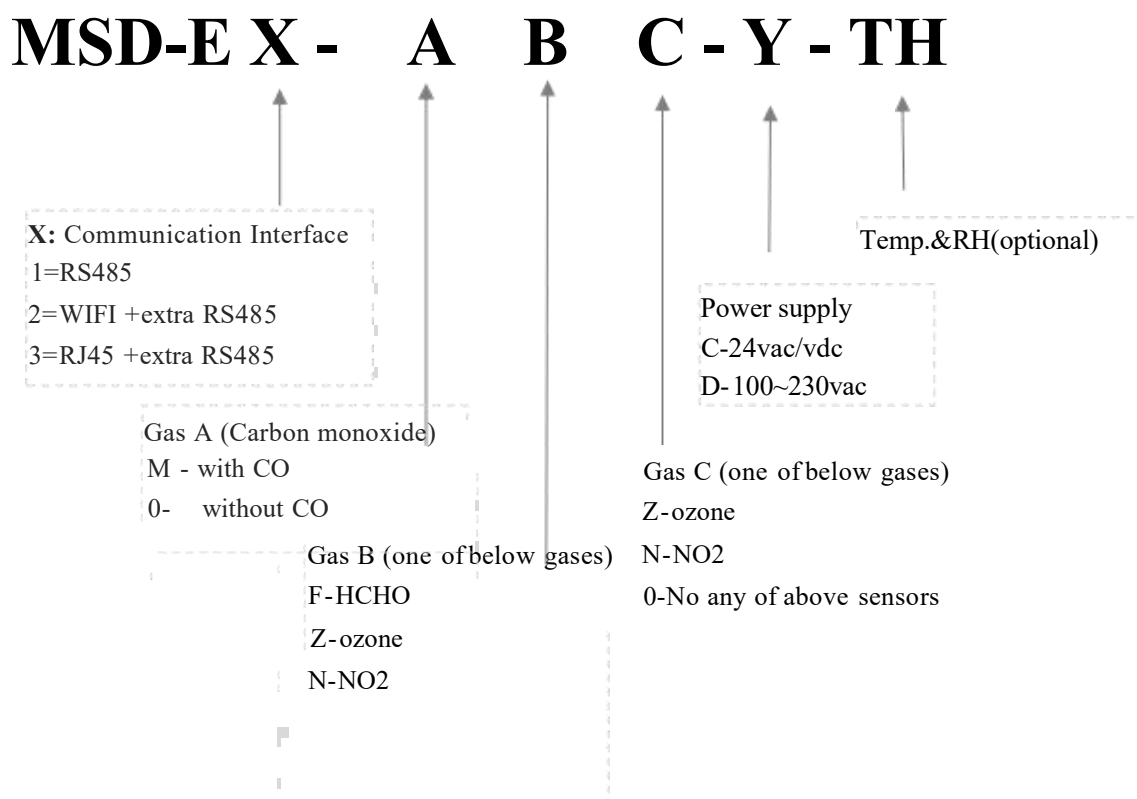
- Green buildings
- Building energy efficiency reform and evaluation system
- Comprehensive real estate projects
- Other monitoring room multiple gase
- Monitor air quality with MSD-18 and other air monitors

Specifications

General Data	
Gas sensors	Modulargas sensor, up to three gas parameters Optional gas sensors : Carbon monoxide (CO) Two of three gas sensors: formaldehyde(HCHO), ozone(O3), Nitrogen dioxide(NO2)
Temp. & RH (optional)	Temperature and humidity
Output	RS485/RTU (Modbus) RJ45 /Ethernet WiFi @2.4 GHz 802.11b/g/n
Operating environment	Temperature: 0~50℃ Humidity: 0~90%RH (no condensation)
Storage environment	Temperature: - 10℃~50℃ Humidity: 0~70%RH
Power supply	12~28VDC/ 18~27VAC or 100~240VAC
Overall dimension	130mm(L)× 130mm(W)×45mm(T)
Shell material and IP grade	PC/ABS fire proof material, IP30
Certification standard	CE
CO Data	
Sensor	Electrochemical CO Sensor
Measuring Range	0.1~100ppm
Output resolution	0.1ppm
Accuracy	±1ppm at 0- 10ppm

Ozone Data	
Sensor	Electrochemical ozone sensor
Measuring Range	10-500ppb
Output Resolution	1ppb
Accuracy	±10ppb at 0-200ppb
HCHO Data	
Sensor	Electrochemical formaldehyde sensor
Measuring Range	20- 1000ppb
Output Resolution	1ppb
Accuracy	±20 ppb at 0- 100 ppb
NO2 Data	
Sensor	Electrochemical sensor
Measuring Range	5-500ppb
Output Resolution	1ppb
Accuracy	±20 ppb at 0- 100 ppb
Temperature and humidity Data	
Sensor	Digital integrated temperature and humidity sensor
Measuring range	Temperature: 0°C~60 °C / Humidity: 0~99%RH
Output resolution	Temperature: 0.01 °C / Humidity: 0.01%RH
Accuracy	Temperature: ±0.5 °C Humidity: ±5.0% (10%~90%RH)

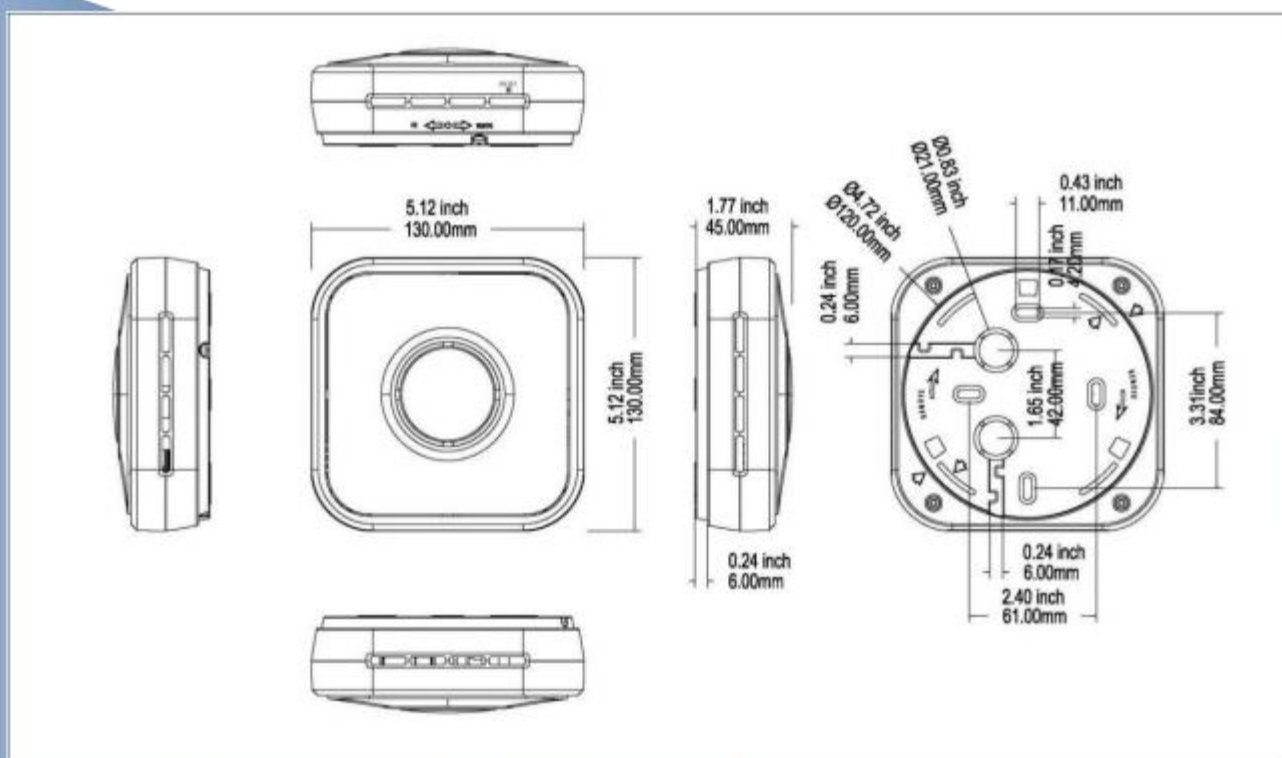
Models Guide



Models Example

option	CO	O3	NO2	HCHO	Temp. &RH	Output	Power supply
MSD-E1-MFZ-C/D	●	●		●		RS485 (Modbus RTU)	C: 12~28VDC/ 18~27VAC; D: 100~240VAC
MSD-E1-OZN-C/D		●	●				
MSD-E1-MZN-C/D	●	●	●				
MSD-E2-MFZ-C/D	●	●		●		WIFI	C: 12~28VDC/ 18~27VAC; D: 100~240VAC
MSD-E2-OZN-C/D		●	●				
MSD-E2-MZN-C/D	●	●	●				
MSD-E3-MFZ-C/D	●	●		●		RJ45	C: 12~28VDC/ 18~27VAC; D: 100~240VAC
MSD-E3-MZN-C/D-TH	●	●	●		●		
MSD-E3-MZN-C/D	●	●	●				

Dimensions



Tongdy Sensing Technology Corp.

http:// www.iaqtongdy.com email : info@tongdy.com

phone : +86 10 59738930

Add : Building 8, No.9, Dijing Rd., Beijing 10095, China