

CO₂ Monitor with Data Logger, WiFi and RS485



Product No: G01-CO2-P

Applications

- Schools, offices, hotels, shops, restaurants, other public places
- Apartments, houses
- All ventilation systems
- Green building and IAQ systems that require real-time monitoring of CO₂ and uploading data



Scan the QR code to visit our website

www.iaqtongdy.com

info@tongdy.com

Features

- Real time monitoring of carbon dioxide
- High quality NDIR CO₂ sensor with self calibration and more than 10 years lifetime
- Temperature & RH is optional
- Three-color backlight LCD indicating three CO₂ ranges
- Data logger with up to one year data record, download by Bluetooth
- WiFi or RS485 interface
- Multiple power supply options available: 24VAC/VDC, 100~240VAC
USB 5V or DC5V with the adaptor, lithium battery
- Wall mounting or desktop placement
- High quality for commercial buildings, such as offices, schools and upscale residences

Applications

- Schools, offices, hotels, meeting rooms
- Shops, restaurants, hospitals, other commercial environments
- Apartments, houses
- All ventilation monitoring systems
- Green building and IAQ systems that require real-time monitoring of CO2 and uploading data

Specifications

Power supply	Select one as below: Power terminal: 24VAC/VDC; 100~240VAC Power Adapter: USB 5V (≥1A USB adapter), or DC5V (1A). Lithium battery: 1pc NCR18650B (3400mAh), can work continuously for 14 days.
Consumption	1.1W max. 0.03 W avg. (270mA@4.2Vmax. ; 7mA@4.2Vavg.)
Gas detected	Carbon Dioxide (CO ₂)
Sensing element	Non-Dispersive Infrared Detector (NDIR)
Accuracy@25°C (77°F)	±50ppm + 3% of reading
Stability	<2% of FS over life of sensor (15 yr typical)
Calibration interval	ABC Logic Self Calibration Algorithm
CO ₂ sensor life	15 years
Response Time	<2 minutes for 90% step change
Signal update	Every 2 seconds
Warm up time	<3 minutes (operation)
CO ₂ measuring range	0~5,000ppm
CO ₂ Display resolution	1ppm
3-color backlight or 3-LED light for CO ₂ range	Green : <1000ppm Yellow: 1001~1400ppm Red: >1400ppm
LCD Display	Real time CO ₂ , with Temp &RH optional

Temperature range (option)	-20~60°C
Humidity range (option)	0~99%RH
Data logger	Up to 145860 points storage 156 days data storage every 5 min. or 312 days every 10 min. for CO2 104 days data storage every 5 min. or 208 days every 10 min. for CO2 plus temp.&RH Download data via BlueTooth APP
Output (option)	WiFi @2.4 GHz 802.11b/g/n in MQTT RS485 in Modbus RTU
Storage conditions	0~50°C (32~122°F), 0~90%RH non condensing
Dimensions/ Weight	130mm(H)×85mm(W)×36.5mm(D) / 200g
Housing and IP class	PC/ABS fireproof plastic material, protection class: IP30
Installation	Wall mounting (65mm×65mm or 2"×4" wire box) Desktop placement with an optional desktop bracket
Standard	CE-Approval

Models Guide

G01-CO2-P X Y Z- T/TH

X: Output option

- 1- RS485 interface, Modbus RTU protocol
- 2- WiFi interface, MQTT protocol

Y: Data logger, Bluetooth download

- 0- No
- 1- Yes

Z: Power supply option

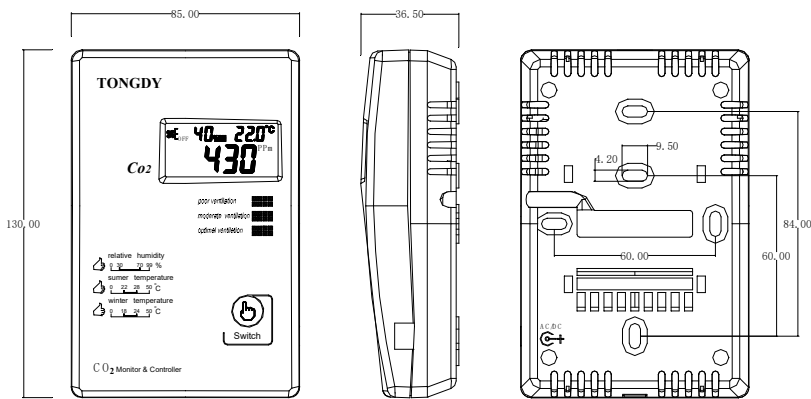
- C- 24VDC/VAC
- D- 100~240VAC
- U- USB 5V

G01-CO2-P monitor with WiFi & data logger

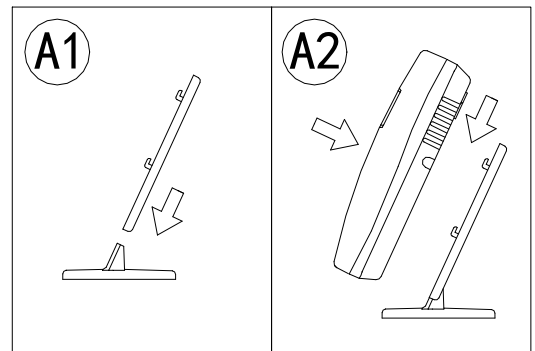
E- DC5V

B- Lithium battery

Mounting and Dimensions



Wall mounting



Desktop bracket